

# Electric Bain-Marie



## USER MANUAL

## INSTALLATION INSTRUCTIONS

To avoid the risk of accidents or damage to the appliance .It 's essential to read these instruction before  
it is installed or used for the first time

---

## Attention!

Installation and repair of this product must be performed by a qualified person or someone authorized by the manufacturer

When installing, or performing maintenance, please follow instructions carefully.

Please keep this Instruction Manual for future reference.

Check that none of the parts is missing or damaged. If there is any doubt about the product, please do not use and seek expert advice.

Item requires a dedicated mains power feed

Keep packing material out of reach of children to avoid accident.

This appliance should only be operated by a competent, trained person.

When not using the appliance, or if the operator is absent, turn off to avoid any accidental injury or damage.

If there is a need for repair, please seek expert advice and use only original manufacturer spare parts. It is dangerous to not follow the above requirements.

This appliance is for commercial use only.

Do not rinse the equipment with water directly.

Clean the surface of stainless steel periodically with appropriate method to prevent any damage brought by oxidation or any other chemical interference

## 1. Overview

The Bain-marie is a perfect kitchen appliance for commercial use.

The body is made of high quality stainless steel, luxurious and stylish and it has been fitted with electrical elements that have been designed to be energy- saving and safe.

It can be used to warm food in any commercial food operation – including Coffee Shops, Pubs, Hotels and restaurants.

## 2.Main Technical Parameters

### RTC- Series

Model	Voltage (V)	Power (Kw)	Capacity (L)	Size (Cm)	Temper Range
RTC-3H	220v~240v/50hz 110v/60hz	1.5	1/2*4*3	90.5*35*31.5	50-200°C
RTC-4H	220v~240v/50hz 110v/60hz	1.5	1/2*4*4	117*35*31.5	50-200°C
RTC-5H	220v~240v/50hz 110v/60hz	1.8	1/2*4*5	143.5*35*31.5	50-200°C
RTC-2H	220v~240v/50hz 110v/60hz	1.5	1/2*4*2	35*56*31.5	50-200°C

### SB -Series

Model	Voltage (V)	Power (Kw)	Capacity (L)	Size (Cm)	Temper Range
SB-4T	220v~240v/50hz 110v/60hz	1.5	1/2*4**4	70*58*24	50-200°C
SB-6T	220v~240v/50hz 110v/60hz	1.5	1/2*4**6	103.5*59*24	50-200°C
SB-8T	220v~240v/50hz 110v/60hz	1.5	1/2*4**8	137.6*59*24	50-200°C
SB-4TA	220v~240v/50hz 110v/60hz	1.5	1/2*4**2 1/3*4**2	75*60*27.5	50-200°C
SB-2T	220v~240v/50hz 110v/60hz	1.5	1/1*4**2	68*57*23	50-200°C
SB-3T	220v~240v/50hz 110v/60hz	1.5	1/3*4**3	105*20*13	50-200°C
SB-3TA	220v~240v/50hz 110v/60hz	1.5	1/3*4**3	35*56*13	50-200°C
RTC-8W	220v~240v/50hz 110v/60hz	3	1/2*4**8	120*50*160	50-200°C
RTC-5W	220v~240v/50hz 110v/60hz	3	1/1*4**4	150*50*160	50-200°C
CZ-115	220v~240v/50hz 110v/60hz	1.8	1/2*4**4	90*72*84	50-200°C
RTC-4W	220v~240v/50hz 110v/60hz	3	1/1*4**4	120*50*160	50-200°C
SB-1T	220v~240v/50hz 110v/60hz	1.5	1/2*4*4	35.5*30*22	50-200°C

### 3.Environmental Use

Altitude:  $\leq 3000\text{m}$

Ambient temperature:  $-15\text{c}\sim+40\text{c}$

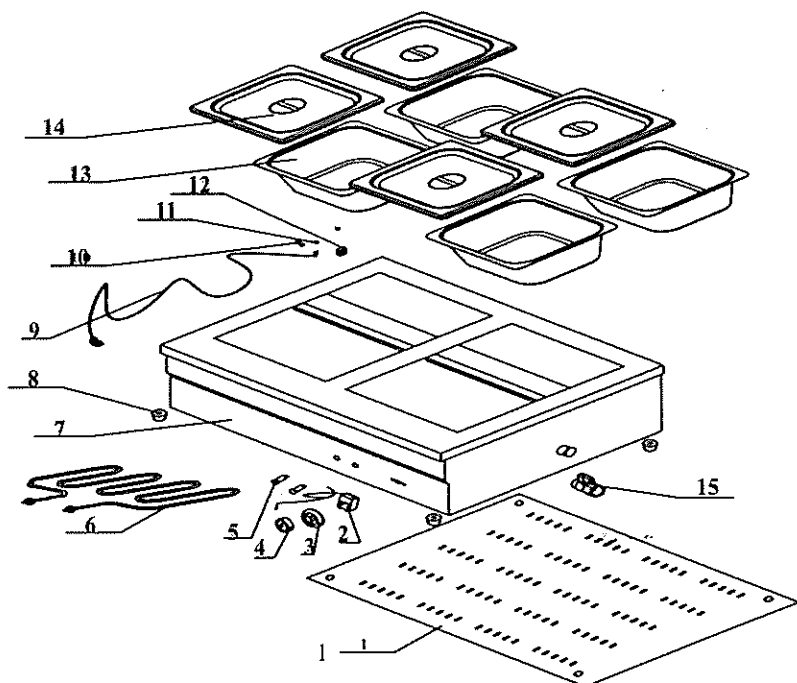
Relative humidity: highest monthly average relative humidity is not more than 90% (the lowest average temperature of that month is  $25\text{c}$ )

### 4.Operation

1. Check if the power supply is properly fixed and make sure that the supplied voltage conforms to requirement.
2. If the green indicator is on, current is flowing to the machine. Revolve the temperature controller clockwise till pointing to the needed temperature. It'll show if the electric heating tube stops working. Water temperature in tank will rise after the red indicator is on and the green indicator is off.
3. Take up a bain-marie ,put water into the water box ,should be kept 1/2 water box's deepness with water height.
4. Temperature controller will automatically regulate the temperature of the water
5. The cover of tank is designed for keeping unit warm and clean.
- 6 . Please revolve the temperature controller anticlockwise to the limited position and then cut off power supply for safety.
- 7 .Only pour the water out of tank when oil temperature cools to room temperature – please use valve provided.
- 8 . For safe and enduring use, users should often clear tank and dirt on electric heating tube.
- 9 .Start:When unit is working power indicator on the operation panel will be on.
- 10.Temperature regulation:The operation panel has temperature controllers which control one electric heater respectively.
11. Adjustable temperature of the controller ranges  $50\text{c} \sim 200\text{c}$
12. The electric heater will automatically stop working when water temperature reaches the setting value, if the temperature drops, it will automatically restart.
13. When element is working, heating indicator light is on (green).
14. To Stop: Turn temperature control knob to the “O” position, electric heaters will then stop working. Turn off power switch and cut off power supply. (Power indicator will be off)

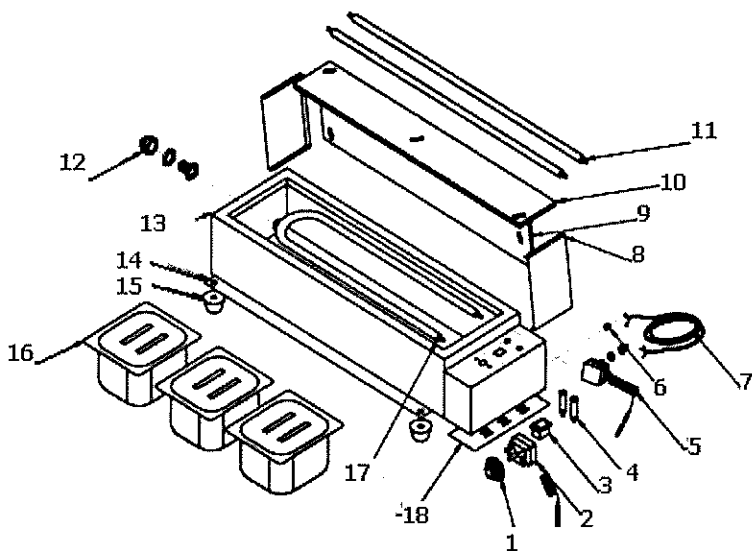
## 5. Structure diagram (SB-SERIES Model :SB-6T)

1	Bottom plate	9	Cables
2	Thermostats	10	Outgoing bushing
3	Holder for thermostats	11	Wiring access
4	Thermostats knob	12	Grounding bolt
5	Indicators	13	Tank
6	Heater	14	Tank's cover
7	Machine's body	15	Tap
8	Plastic feet	16	

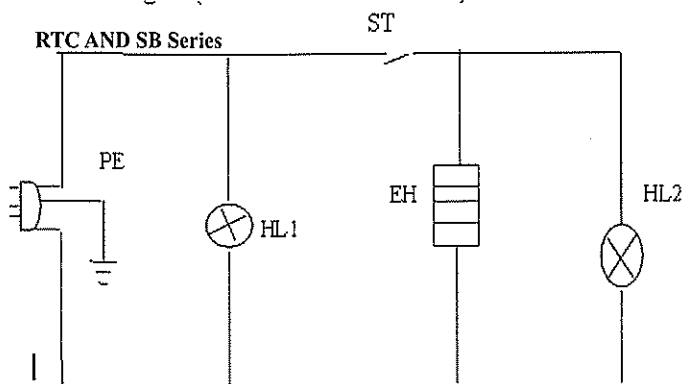


## 6. Structure diagram (RTC-SERIES Model :RTC-3H)

1	Thermostat Knob	10	Upper Glass
2	Thermostat	11	Glass knight head
3	Boat-shaped switch	12	Discharge structure
4	Indicator light	13	Engine bode with E-box
5	Temperature limiter	14	Motherboard
6	Strain relief clamp for cord	15	Stabilize
7	Power cord	16	GN pan with cover
8	Support board	17	Heater
9	Front glass	18	Motherboard of E-box



## 7.Circuit Diagram



## 8.Maintenance and service

The maintenance staff shall have an electrician qualification. Don't Conduct maintenance with power- on.

Transportation and storage: during transportation, the machine shall be carefully protected and away from shaking. The packaged machine shall not be stored in the open air. It should be stored in a ventilated warehouse without corrosive gas. Prohibit putting upside down.

Failures	Cause	Solutions
1. Power indicator is not on and unit not heating	No Power to machine.	1. Check power supply
2.heating indicator is on but the temperature does not rise	1.Connection of the electric Heating tube is loose	1.Fasten the two terminals between the electric heating tube and the screw 2.Replace the electric heating tube
3.power indicator is on but the setting Temperature will not rise	1.Temperature controller damaged	1.Replace the temperature controller
4.temperature controller is normal but indicator is not on	1.Indicator damaged	1.Replace indicator