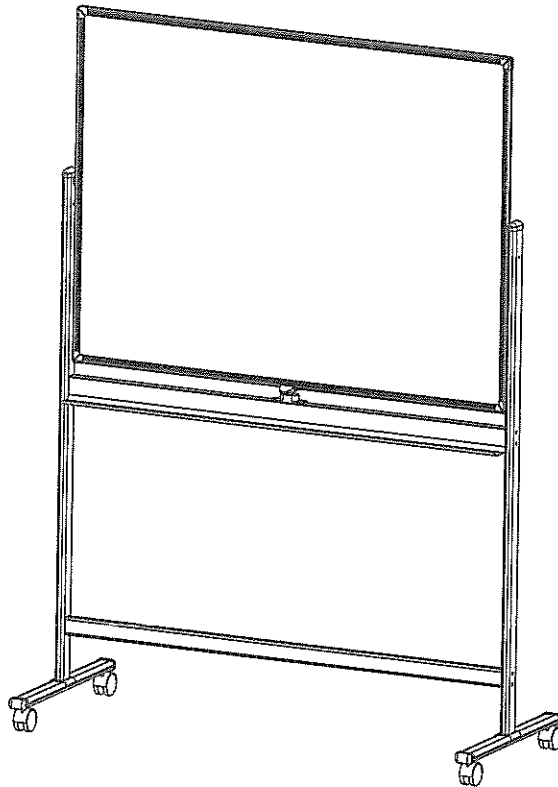


J.BURROWS

• • • • •

ASSEMBLY INSTRUCTIONS

MOBILE WHITEBOARD

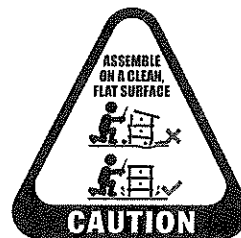


This assembly instruction is suitable to Product Code JBMOBWB129 (90X120cm) and JBMOB18090 (90X180cm) .
www.officeworks.com.au

Recommend 2 adults to assemble



Assemble Item on a clean flat surface






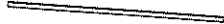

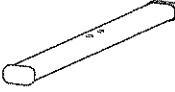

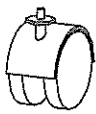
NOTICE

- Do not tighten the screws before all screws are in the correct place.
- At least every four months, check all bolts, screws and knobs to ensure they are tight.
- Clean the whiteboard surface every three months using whiteboard cleaning wipes/cloths.
- If any parts or hardware are missing, broken, damaged or worn, stop using the board until repairs are made using appropriate parts.
- Please check to ensure you have all parts and hardware before assembling.
- If you think there are any missing parts or hardware please contact the store of purchase.

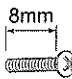
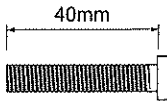



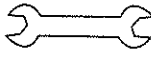

CAUTION

- Rotate the whiteboard with care to avoid injuries.

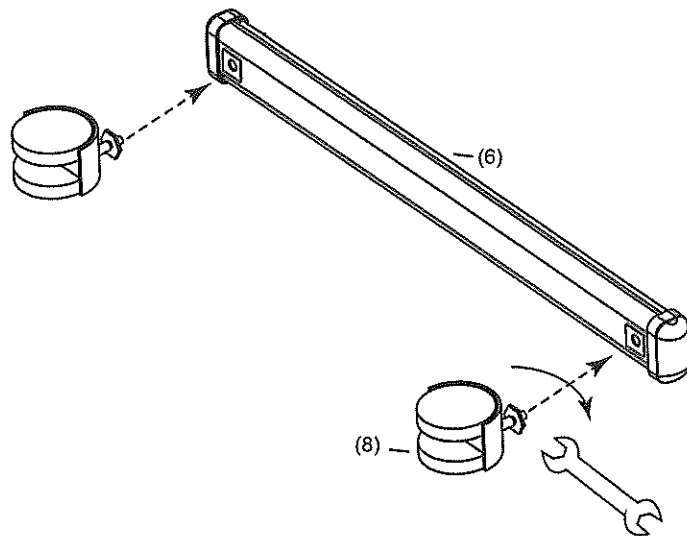
PARTS LIST

<p>(1)</p>  <p style="text-align: center;">x 1PC WHITEBOARD</p>	<p>(2)</p>  <p style="text-align: center;">x 2PCS STAND LEG</p>	<p>(3)</p>  <p style="text-align: center;">x 1PC PEN TRAY</p>	<p>(4)</p>  <p style="text-align: center;">x 1PC SPREADER BAR</p>
<p>(5)</p>  <p style="text-align: center;">JBMOBWB129 x 1PC LOCK PART JBMOB18090 x 2PCS LOCK PART</p>	<p>(6)</p>  <p style="text-align: center;">x 2PCS BASE PIPE</p>	<p>(7)</p>  <p style="text-align: center;">x 2PCS END CAP</p>	<p>(8)</p>  <p style="text-align: center;">x 4PCS CASTOR</p>

HARDWARE LIST

<p>(A)</p>  <p style="text-align: center;">JBMOBWB129 x 2PCS JBMOB18090 x 4PCS</p>	<p>(B)</p>  <p style="text-align: center;">x 12PCS</p>	<p>(C)</p>  <p style="text-align: center;">x 12PCS</p>	<p>(D)</p>  <p style="text-align: center;">JBMOBWB129 x 2PCS JBMOB18090 x 4PCS</p>
<p>(E)</p>  <p style="text-align: center;">x 1PC</p>	<p>(F)</p>  <p style="text-align: center;">x 1PC</p>	<p>(G)</p>  <p style="text-align: center;">x 1PC</p>	

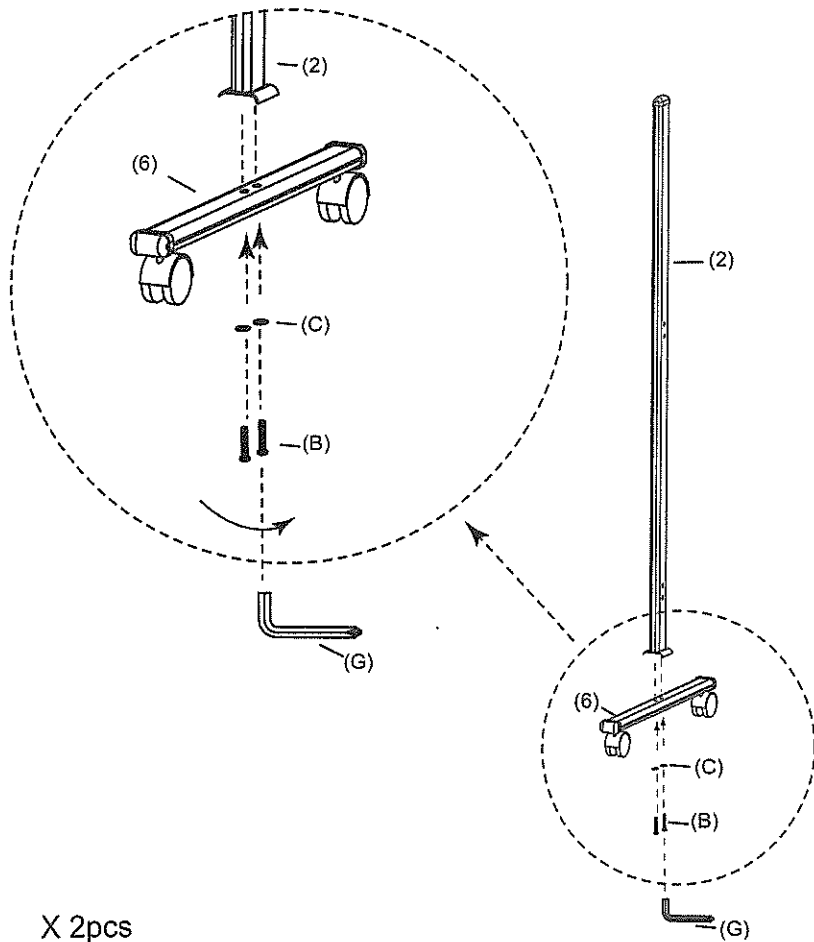
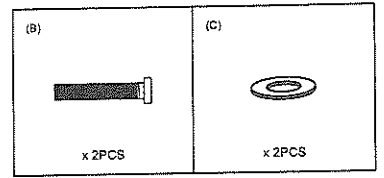
Step 1



X 2pcs

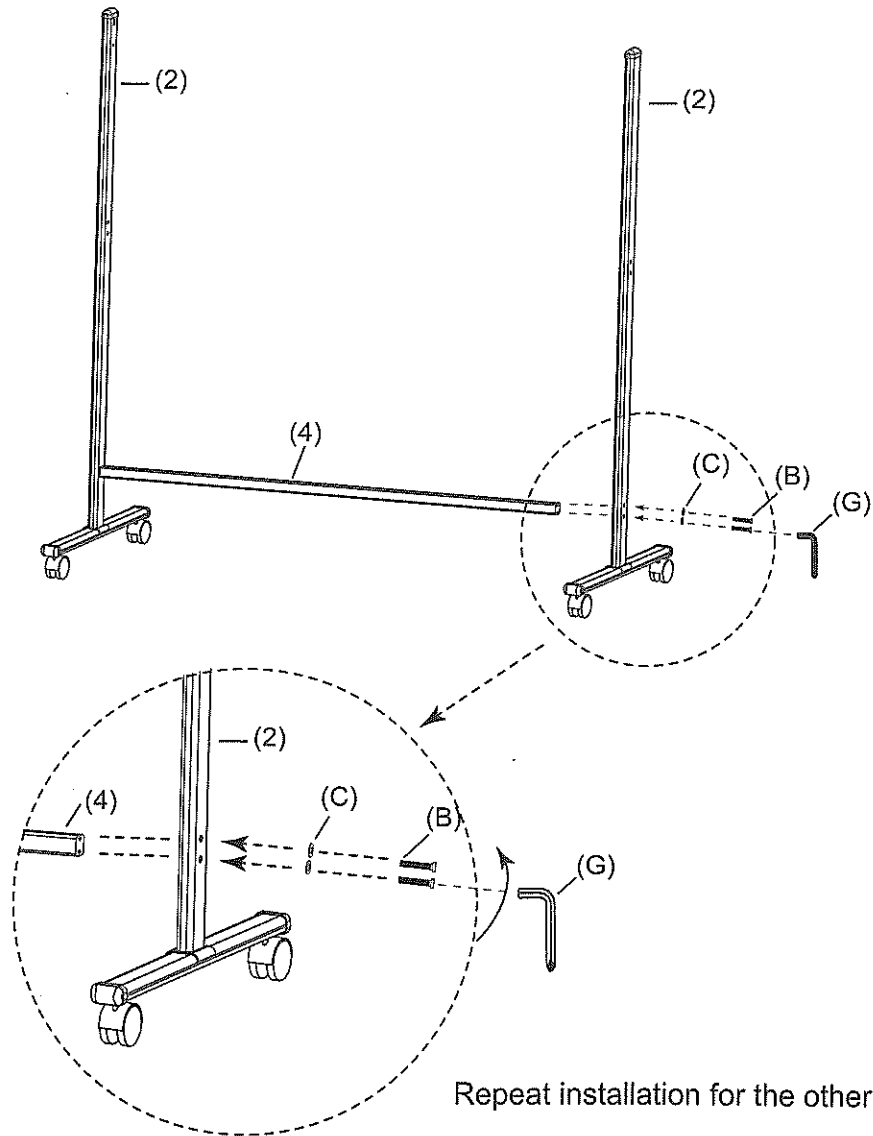
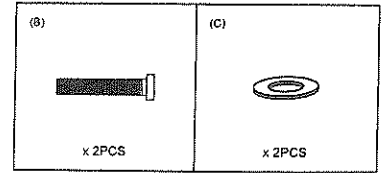
Repeat installation for the other one.

Step 2



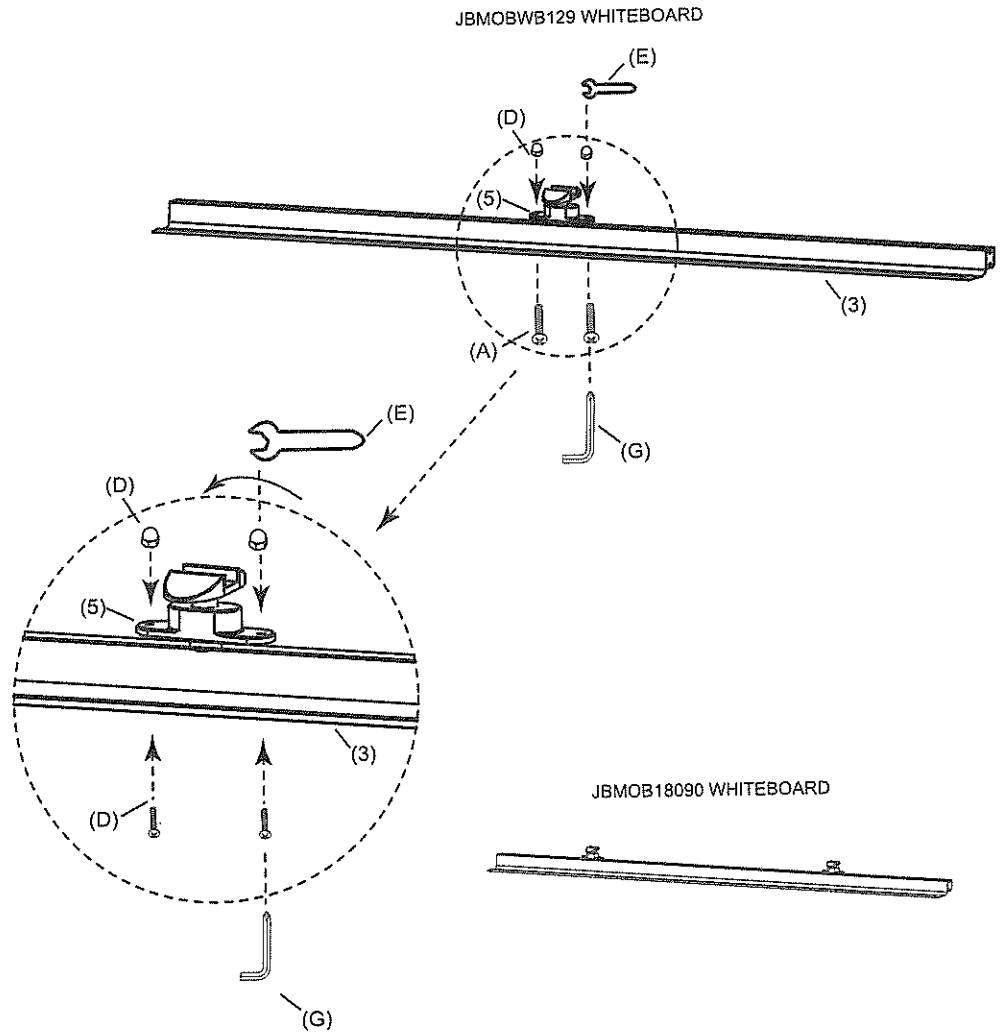
X 2pcs
Repeat installation for the other one.

Step 3

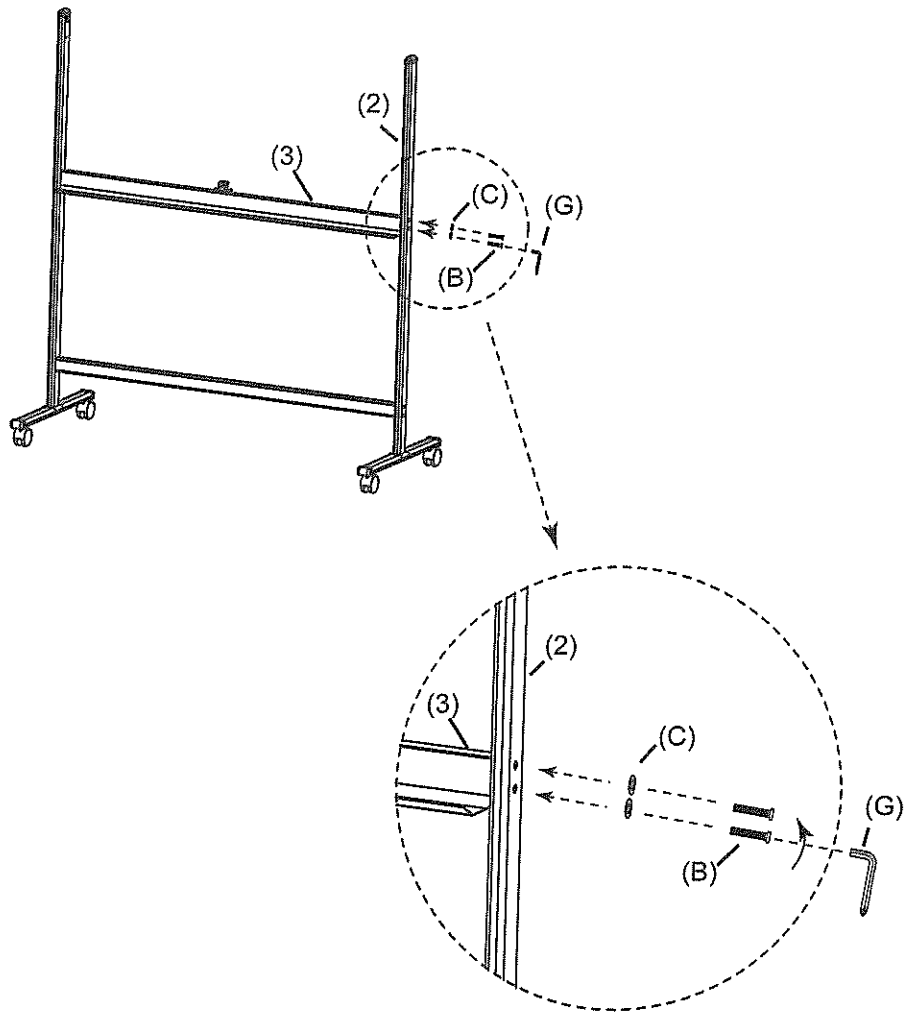
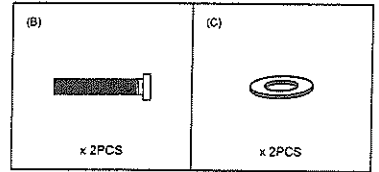


Step 4

(A)	(D)
90°120CM 2 x PCS 90°180CM 4 x PCS	90°120CM 2 x PCS 90°180CM 4 x PCS

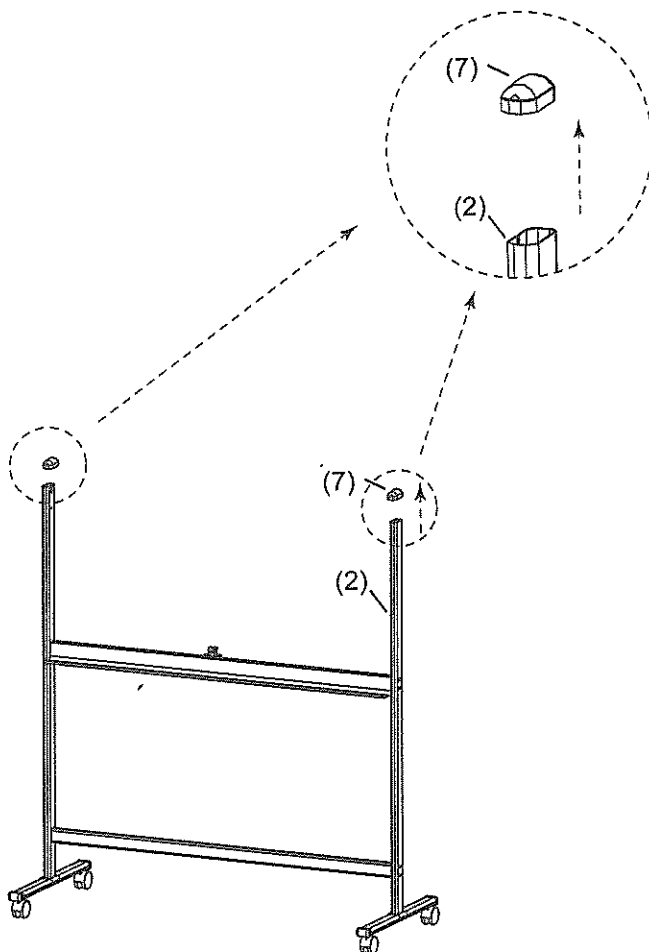


Step 5

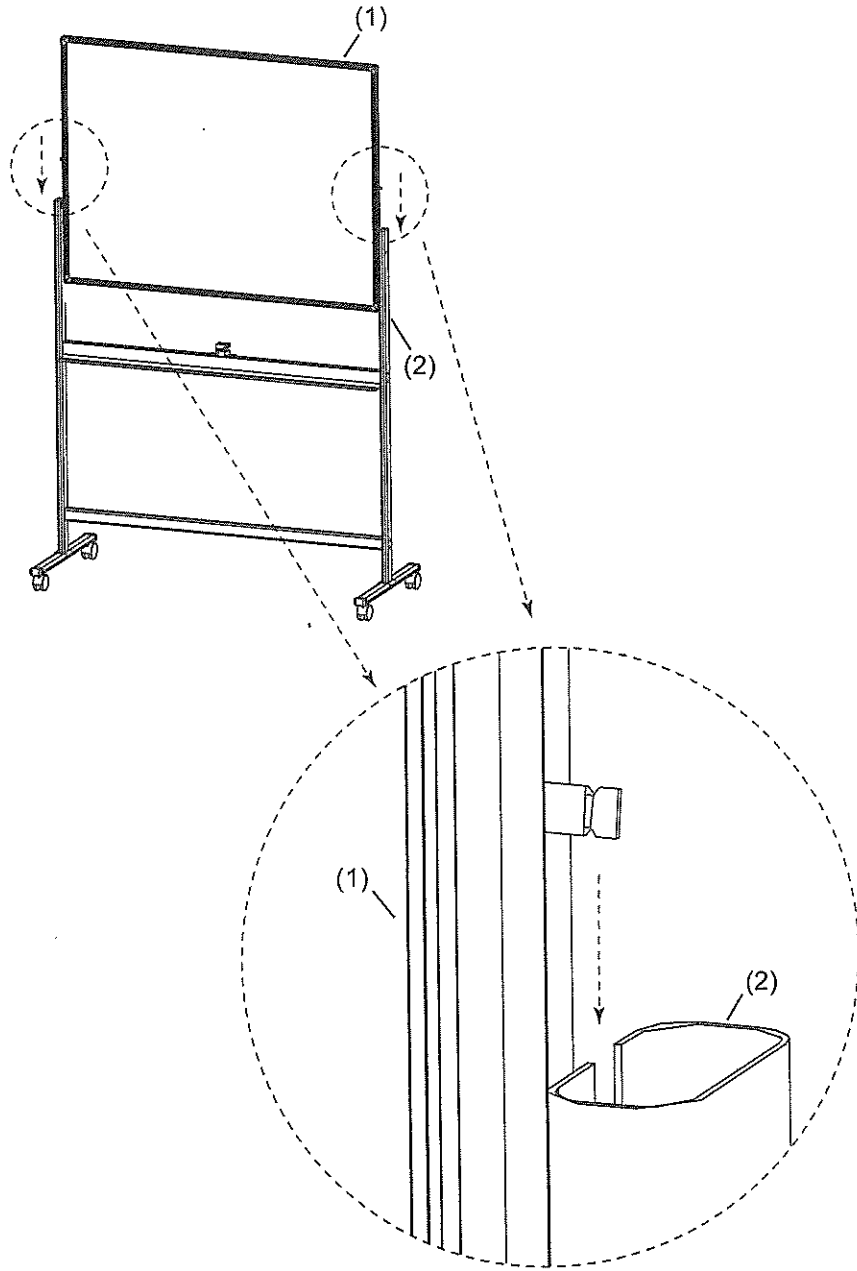


Repeat installation for the other end.

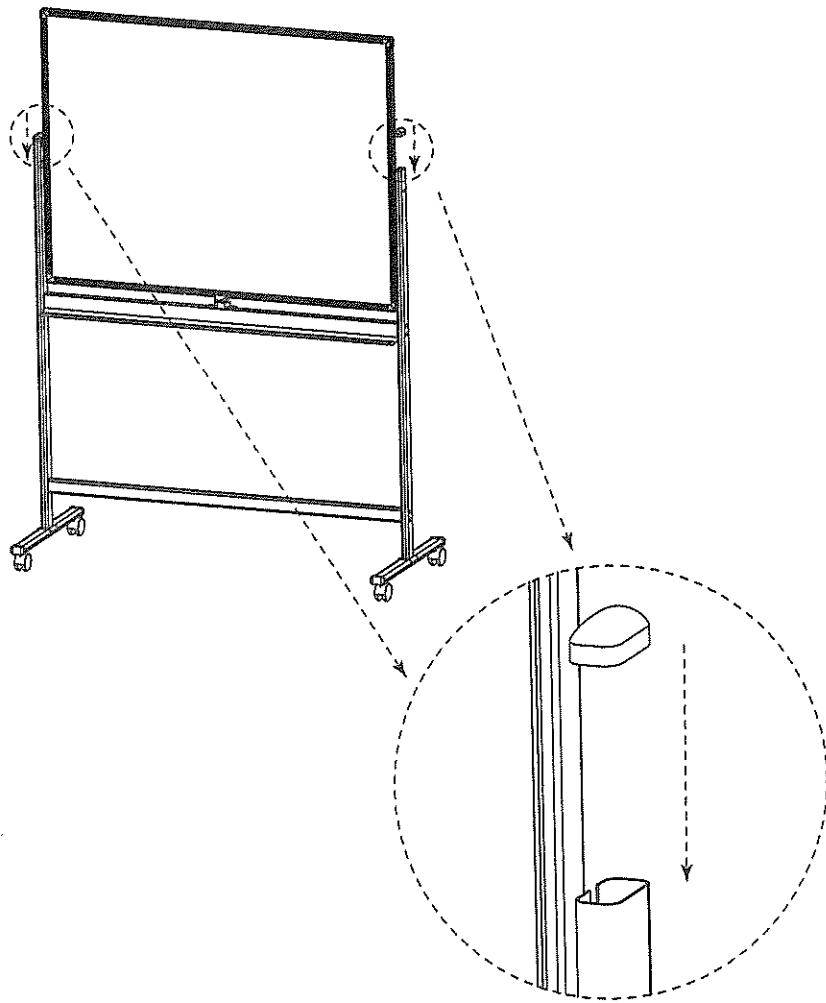
Step 6

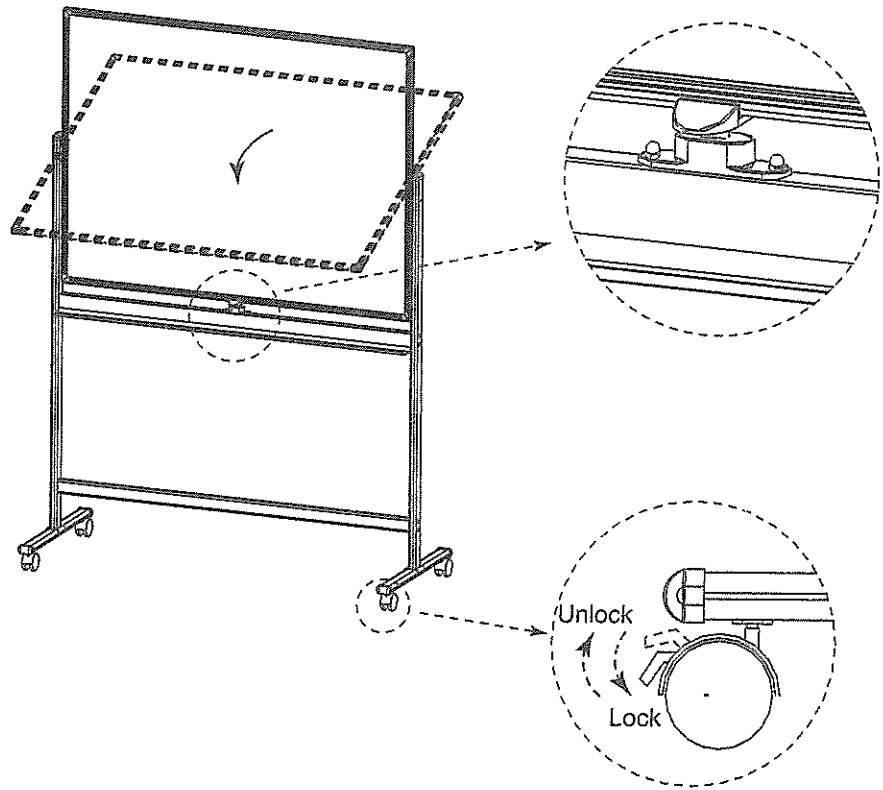


Step 7



Step 8





JBMOBWB129 WHITEBOARD

JBMOB18090 WHITEBOARD

